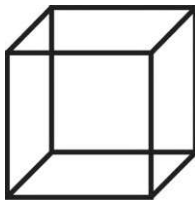


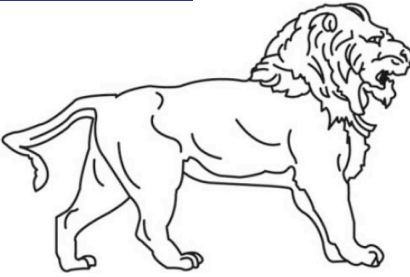
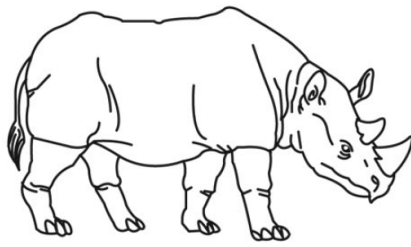
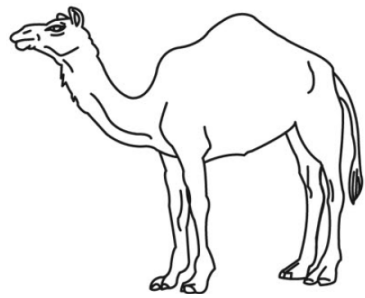
# MONTREAL COGNITIVE ASSESSMENT (MOCA-HI®)

Name:  
Education:  
Sex:

Date of birth:  
DATE:

Hearing Impairment (HI) Version: 1.0 English

|                        |  |   |   |
|------------------------|--|---|---|
| VISUOSPATIAL/EXECUTIVE |  <p>Copy cube</p> | <p>Draw CLOCK (Ten past eleven)<br/>(3 points)</p><br><br><br><br><br><br><br><br><br><br><p style="text-align: center;">[ ]                      [ ]                      [ ]</p> <p style="text-align: center;">Contour                      Numbers                      Hands</p> | POINTS<br><br><br><br><br><br><br><br><br><br>_ / 5 |
|------------------------|--|---|---|

|        |  |   |  |       |
|--------|--|---|--|-------|
| NAMING |  <p>[ ]</p> |  <p>[ ]</p> |  <p>[ ]</p> | _ / 3 |
|--------|--|---|--|-------|

|        |   |      |        |        |       |     |           |
|--------|---|------|--------|--------|-------|-----|-----------|
| MEMORY | Show list of words using flashcards, subject must repeat them. Do 2 trials, even if 1st trial is successful. Do a recall after 5 minutes. | FACE | VELVET | CHURCH | DAISY | RED | NO POINTS |
|        | 1 <sup>ST</sup> TRIAL   |      |        |        |       |     |           |
|        | 2 <sup>ND</sup> TRIAL   |      |        |        |       |     |           |

|           |                                      |  |
|-----------|--------------------------------------|--|
| ATTENTION | Show list of digits (1 digit/2 sec.) | Subject has to repeat them in the forward order. [ ] 2 1 8 5 4 |
|           |                                      | Subject has to repeat them in the backward order. [ ] 7 4 2    |

1 point if subject completes the task with 2 errors or less. 0 points if 3 errors or greater.

3
8
5
1
3
0
2
9
2
0
4
9
7
8
6
1
5
7
6
4

1
5
8
3
9
2
0
3
9
4
0
2
1
6
8
7
4
6
7
5

|  |        |        |        |        |        |  |  |
|--|--------|--------|--------|--------|--------|--|--|
| Serial 7 subtraction starting at 100   | [ ] 93 | [ ] 86 | [ ] 79 | [ ] 72 | [ ] 65 |  |  |
| 4 or 5 correct: 3 points, 2 or 3 correct: 2 points, 1 correct: 1 point, 0 correct: 0 point |        |        |        |        |        |  |  |

|          |                        |   |       |
|----------|------------------------|---|-------|
| LANGUAGE | Sentence construction: | THE CAT WAS VERY SLEEPY [ ]<br>JULIE DECIDED TO WEAR A BLUE DRESS [ ] | _ / 2 |
|----------|------------------------|---|-------|

|   |                         |       |
|---|-------------------------|-------|
| Fluency: Name maximum number of words in one minute that begin with the letter F. | [ ] ____ (N ≥ 11 words) | _ / 1 |
|---|-------------------------|-------|

|             |  |                     |                   |       |
|-------------|--|---------------------|-------------------|-------|
| ABSTRACTION | Similarity between e.g., banana-orange = fruit | [ ] train - bicycle | [ ] watch - ruler | _ / 2 |
|-------------|--|---------------------|-------------------|-------|

|                          |       |                                 |      |        |        |       |     |                              |       |
|--------------------------|-------|---------------------------------|------|--------|--------|-------|-----|------------------------------|-------|
| DELAYED RECALL           | (MIS) | Has to recall words WITH NO CUE | FACE | VELVET | CHURCH | DAISY | RED | Points for UNCUE recall only | _ / 5 |
|                          | X3    |                                 | [ ]  | [ ]    | [ ]    | [ ]   | [ ] |                              |       |
|                          | X2    | Category cue                    |      |        |        |       |     |                              |       |
| MEMORY INDEX SCORE (MIS) | X1    | Multiple choice cue             |      |        |        |       |     | MIS = ____ / 15              |       |

|             |          |           |          |         |           |          |       |
|-------------|----------|-----------|----------|---------|-----------|----------|-------|
| ORIENTATION | [ ] Date | [ ] Month | [ ] Year | [ ] Day | [ ] Place | [ ] City | _ / 6 |
|-------------|----------|-----------|----------|---------|-----------|----------|-------|

|  |                  |                                      |       |        |
|--|------------------|--------------------------------------|-------|--------|
| © Z. Nasreddine MD                                       | www.mocatest.org | MIS: ____ / 15                       |       |        |
| Administered by: _____                                   |                  | (Normal ≥ 25/30)                     |       |        |
| Training and certificate are required to ensure accuracy |                  | Add 2 points if ≤12 years education. | TOTAL | _ / 30 |